



**CONSTRUCTION CERTIFICATE**  
 Approved Plans & Specifications relating to:  
 Date Approved: 19 October 2023  
 Certificate No.: CC-23193  
 BLAKETT MAGUIRE + GOLDSMITH PTY LTD

**AMENDMENTS**

No.	Item	Drawn	Date
A	ORIGINAL FOR DISCUSSION	AP	04/08/23

**LEGEND**

RS LG.2	RS LG.2	RS LG.2	RS LG.2	RS LG.2	RS LG.2
RS LG.2	RS LG.2	RS LG.2	RS LG.2	RS LG.2	RS LG.2
RS LG.2	RS LG.2	RS LG.2	RS LG.2	RS LG.2	RS LG.2
RS LG.2	RS LG.2	RS LG.2	RS LG.2	RS LG.2	RS LG.2

**NOTES**

Verify all dimensions and levels on site and report any discrepancies prior to the commencement of work.  
 Drawings are to be read in conjunction with all referenced documents.  
 Use figured dimensions only. Do not scale from drawings.  
 Dexion Nepean cannot guarantee the accuracy of content and format for copies of drawings issued electronically.  
 The completion of the issue details checked and authorised section is confirmation of the status of the drawing. The drawing shall not be used for construction unless endorsed 'For Construction' and authorised for issue.  
 © Copyright Dexion Nepean  
 Dexion Nepean is the owner of the copyright subsisting in these drawings, plans, designs and specifications. They must not be used, reproduced, or copied in whole or in part, nor may the information, idea and concepts contained (which are confidential to Dexion Nepean) be disclosed to any person without prior written consent of that company.

**DEXION NEPEAN**  
 UNIT 3  
 7 MILLNER AVE  
 HORSLEY PARK  
 NSW 2175  
 TEL (02) 9623 3399  
 FAX (02) 9623 3099  
 ABN 59 115 740 040  
 Website: www.dexionnepean.com.au

**CONSULTANT:**  
 SEAN GAFFEY  
 ROB LLOYD

**CLIENT:**  
 EBOS HEALTH CARE /  
 TULIP DESIGN

**PROJECT:**  
 OAKDALE WEST  
 AMBIENT ROOM RACKING

**DRAWING:**  
 DNQ14375-1122 S102RA

**PROJECT No.**  
 DNQ14375

**SHEET: 2**  
**SCALE: NTS**



**CONSTRUCTION CERTIFICATE**  
 Approved Plans & Specifications relating to:  
 Date Approved: 19 October 2023  
 Certificate No.: CC-23193  
 BLACKETT MAGUIRE + GOLDSMITH PTY LTD

**AMENDMENTS**

No.	Item	Drawn	Date
A	ORIGINAL FOR DISCUSSION	AP	04/08/23

**LEGEND**

Notes and legend details are present but not fully legible in this view.

**NOTES**

Verify all dimensions and levels on site and report any discrepancies prior to the commencement of work.  
 Drawings are to be read in conjunction with all referenced documents.  
 Use figured dimensions only. Do not scale from drawings.  
 Dexion Nepean cannot guarantee the accuracy of content and format for copies of drawings issued electronically.  
 The completion of the issue details checked and authorised section is confirmation of the status of the drawing. The drawing shall not be used for construction unless endorsed 'For Construction' and authorised for issue.  
 © Copyright Dexion Nepean  
 Dexion Nepean is the owner of the copyright subsisting in these drawings, plans, designs and specifications. They must not be used, reproduced, or copied in whole or in part, nor may the information, idea and concepts contained (which are confidential to Dexion Nepean) be disclosed to any person without prior written consent of that company.

**CONSULTANT:**  
 SEAN GAFFEY  
 ROB LLOYD

**CLIENT:**  
 EBOS HEALTH CARE /  
 TULIP DESIGN

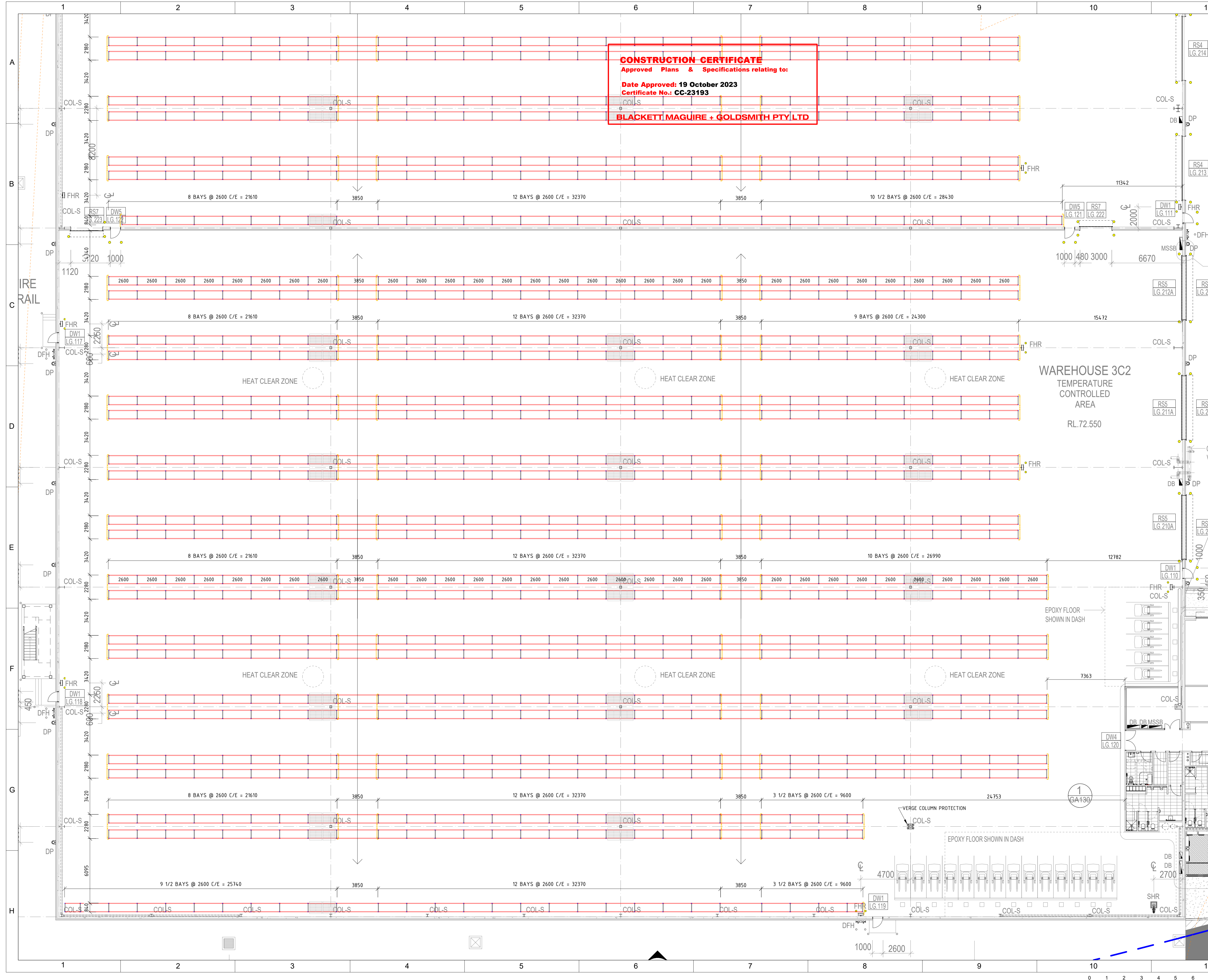
**PROJECT:**  
 OAKDALE WEST  
 COOLROOM RACKING

**DRAWING:**  
 DNQ14375-1122 S103RA

**PROJECT No.**  
 DNQ14375

**SHEET:** 3

**SCALE:** NTS

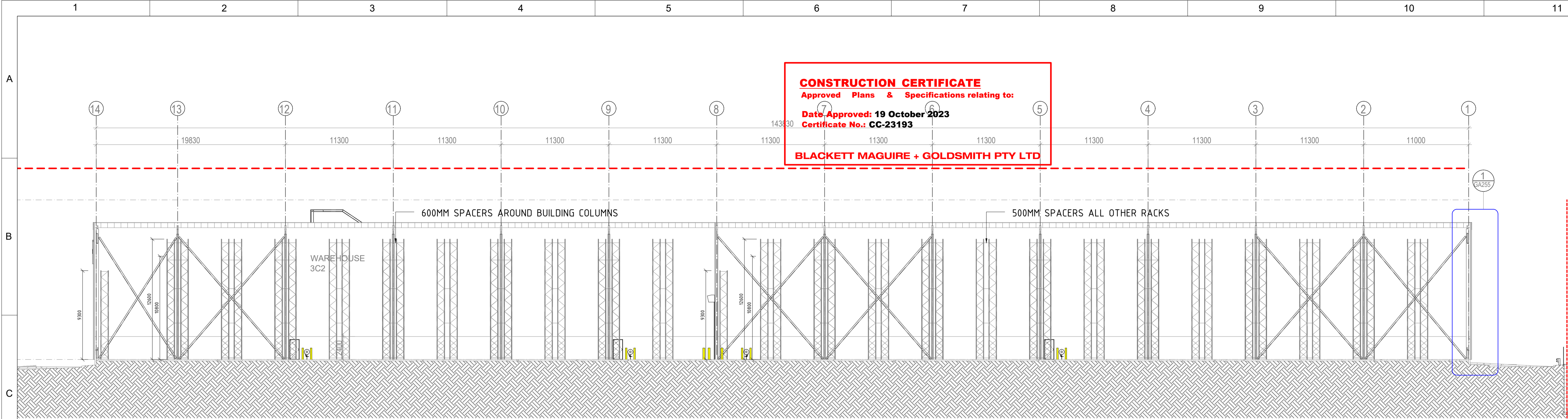


**WAREHOUSE 3C2**  
 TEMPERATURE CONTROLLED AREA  
 RL.72.550

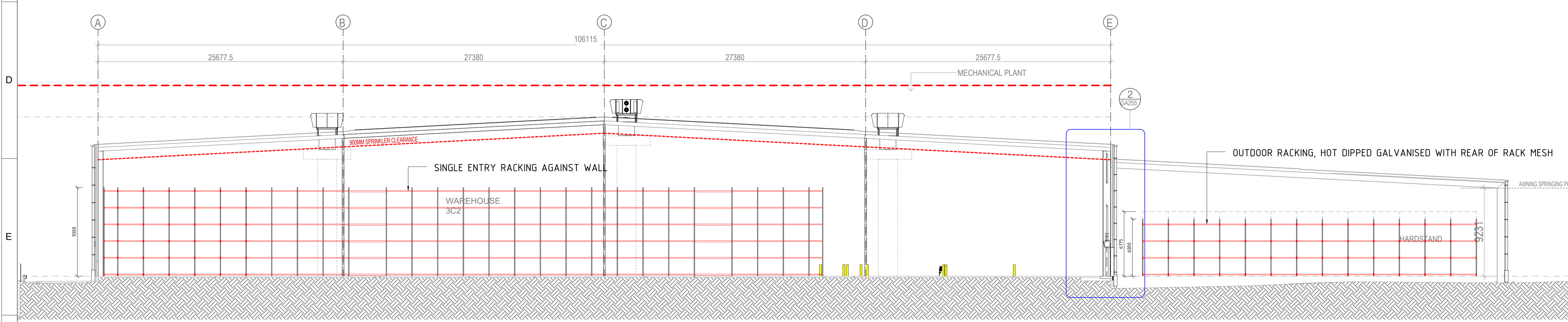
EPOXY FLOOR SHOWN IN DASH

VERGE COLUMN PROTECTION

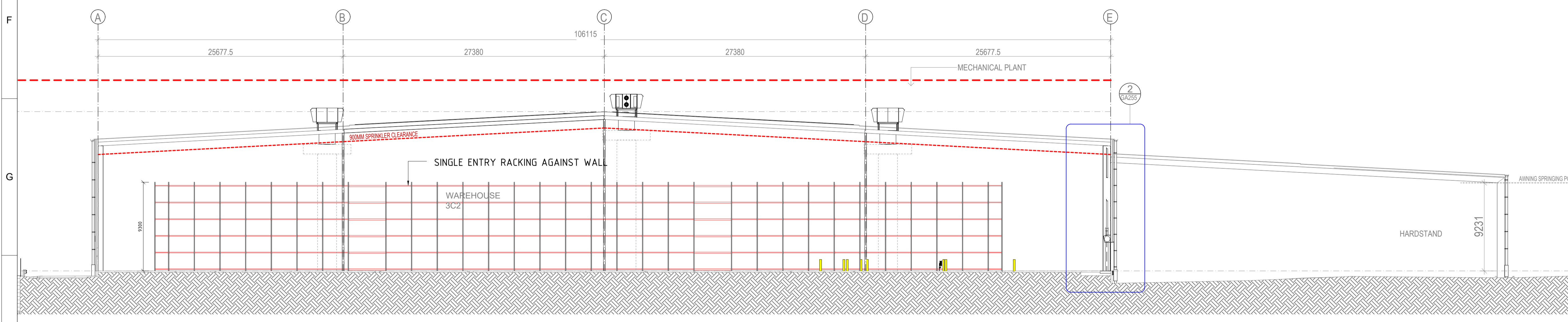
EPOXY FLOOR SHOWN IN DASH



SECTION - RACKING FRAME ELEVATIONS



SECTION - SINGLE ENTRY RACK ZA



SECTION - SINGLE ENTRY RACK P



**AMENDMENTS**

No.	Item	Drawn	Date
A	ORIGINAL FOR DISCUSSION	AP	04/08/23

**LEGEND**

**NOTES**

Verify all dimensions and levels on site and report any discrepancies prior to the commencement of work.  
 Drawings are to be read in conjunction with all referenced documents.  
 Use figured dimensions only. Do not scale from drawings.

Dexion Nepean cannot guarantee the accuracy of content and format for copies of drawings issued electronically.

The completion of the issue details checked and authorised section is confirmation of the status of the drawing. The drawing shall not be used for construction unless endorsed 'For Construction' and authorised for issue.

© Copyright Dexion Nepean

Dexion Nepean is the owner of the copyright subsisting in these drawings, plans, designs and specifications. They must not be used, reproduced, or copied in whole or in part, nor may the information, idea and concepts contained (which are confidential to Dexion Nepean) be disclosed to any person without prior written consent of that company.



**CONSULTANT:**  
 SEAN GAFFEY  
 ROB LLOYD

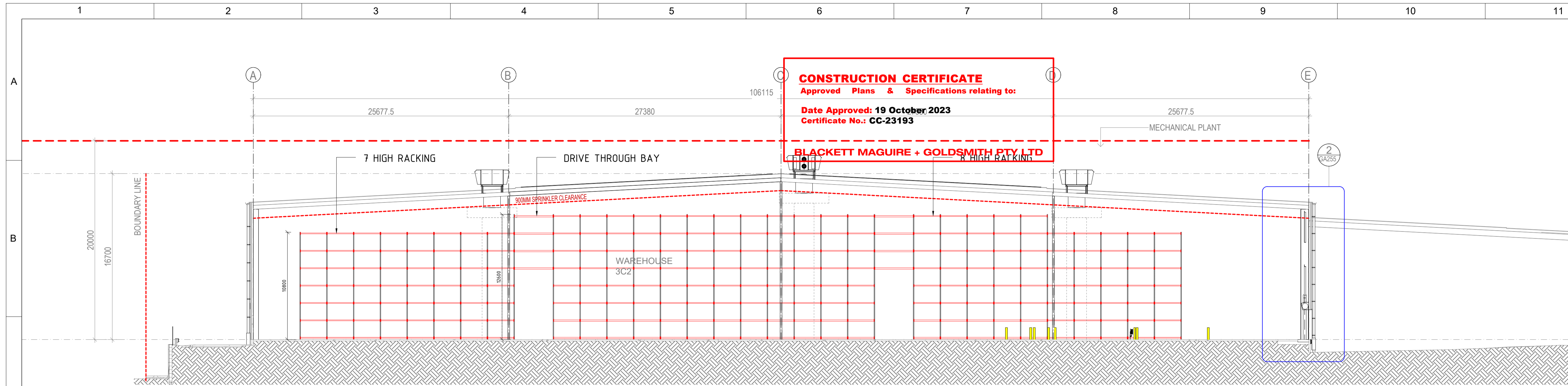
**CLIENT:**  
 EBOS HEALTH CARE /  
 TULIP DESIGN

**PROJECT:**  
 OAKDALE WEST  
 SECTIONS SHEET 1

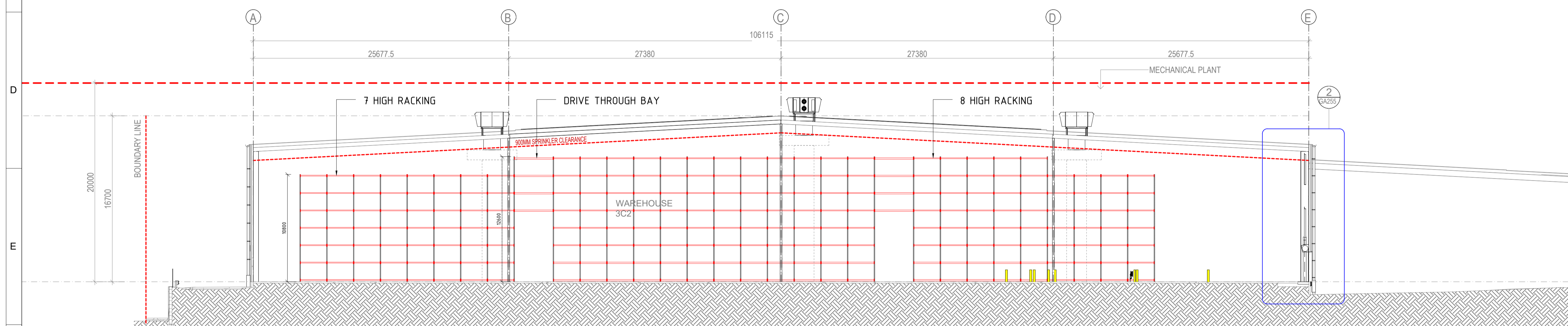
**DRAWING:**  
 DNQ14375-1122 S104RA

**PROJECT No.** DNQ14375  
**SHEET:** 4  
**SCALE:** NTS

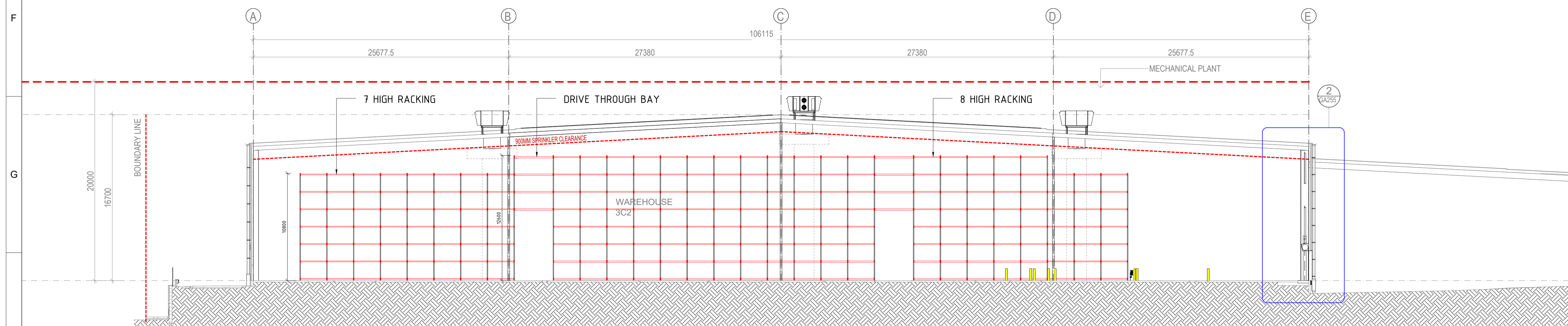
Dexion Nepean Info:



SECTION - RACKING BAY ELEVATION IN AMBIENT AND COOLROOM



SECTION - RACKING BAY ELEVATION IN AMBIENT AND COOLROOM



SECTION - RACKING BAY ELEVATION IN AMBIENT AND COOLROOM

**CONSTRUCTION CERTIFICATE**  
 Approved Plans & Specifications relating to:  
 Date Approved: 19 October 2023  
 Certificate No.: CC-23193  
**BLACKETT MAGUIRE + GOLDSMITH PTY LTD**



AMENDMENTS

No.	Item	Drawn	Date
A	ORIGINAL FOR DISCUSSION	AP	04/08/23

LEGEND

NOTES

Verify all dimensions and levels on site and report any discrepancies prior to the commencement of work.  
 Drawings are to be read in conjunction with all referenced documents.  
 Use figured dimensions only. Do not scale from drawings.  
 Dexion Nepean cannot guarantee the accuracy of content and format for copies of drawings issued electronically.  
 The completion of the issue details checked and authorised section is confirmation of the status of the drawing. The drawing shall not be used for construction unless endorsed 'For Construction' and authorised for issue.  
 © Copyright Dexion Nepean  
 Dexion Nepean is the owner of the copyright subsisting in these drawings, plans, designs and specifications. They must not be used, reproduced, or copied in whole or in part, nor may the information, idea and concepts contained (which are confidential to Dexion Nepean) be disclosed to any person without prior written consent of that company



CONSULTANT:  
 SEAN GAFFEY  
 ROB LLOYD

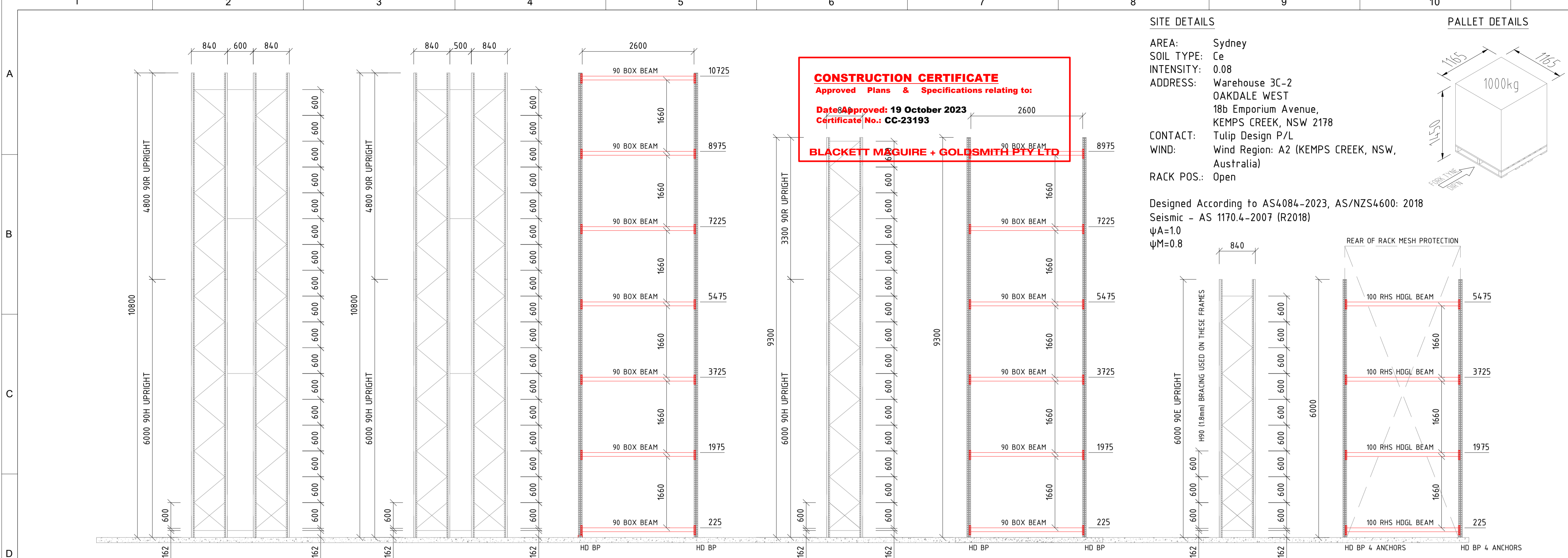
CLIENT:  
 EBOS HEALTH CARE /  
 TULIP DESIGN

PROJECT:  
 OAKDALE WEST  
 SECTIONS SHEET 2

DRAWING:  
 DNQ14375-1122 S105RA

PROJECT No. DNQ14375 SHEET: 5  
 SCALE: NTS

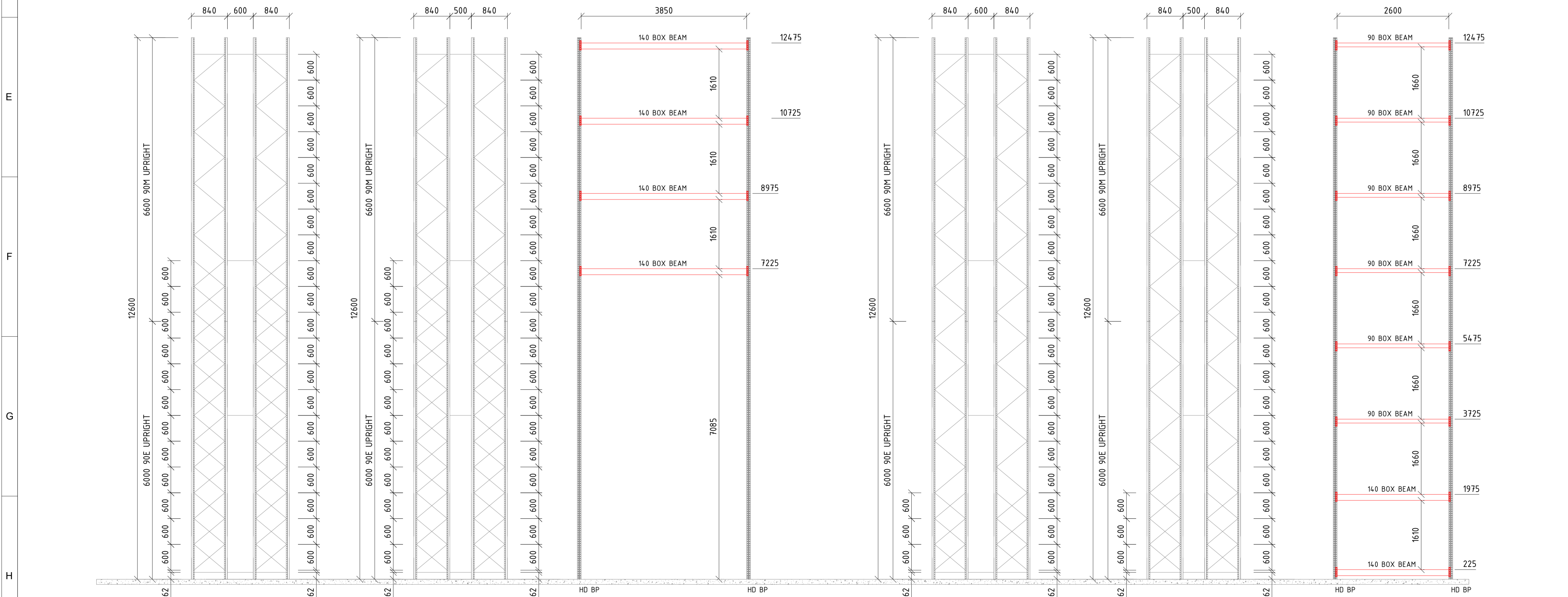
Dexion Nepean Info:



RACKING ELEVATIONS - 7 PALLET HIGH CONFIGURATION

RACKING ELEVATIONS - SINGLE ENTRY CONFIGURATION

RACKING ELEVATIONS - OUTDOOR RACKING



RACKING ELEVATIONS - DRIVE THROUGH BAY CONFIGURATION

RACKING ELEVATIONS - 8 PALLET HIGH CONFIGURATION



**AMENDMENTS**

No.	Item	Drawn	Date
A	ORIGINAL FOR DISCUSSION	AP	04/08/23

**LEGEND**

**NOTES**

Verify all dimensions and levels on site and report any discrepancies prior to the commencement of work.  
 Drawings are to be read in conjunction with all referenced documents.  
 Use figured dimensions only. Do not scale from drawings.  
 Dexion Nepean cannot guarantee the accuracy of content and format for copies of drawings issued electronically.  
 The completion of the issue details checked and authorised section is confirmation of the status of the drawing. The drawing shall not be used for construction unless endorsed "For Construction" and authorised for issue.  
 © Copyright Dexion Nepean  
 Dexion Nepean is the owner of the copyright subsisting in these drawings, plans, designs and specifications. They must not be used, reproduced, or copied in whole or in part, nor may the information, idea and concepts contained (which are confidential to Dexion Nepean) be disclosed to any person without prior written consent of that company

**DEXION NEPEAN**  
 UNIT 3  
 7 MILLNER AVE  
 HORSLEY PARK  
 NSW 2175  
 TEL (02) 9623 3399  
 FAX (02) 9623 3099  
 ABN 59 115 740 040  
 Website: www.dexionnepean.com.au

**CONSULTANT:**  
 SEAN GAFFEY  
 ROB LLOYD

**CLIENT:**  
 EBOS HEALTH CARE /  
 TULIP DESIGN

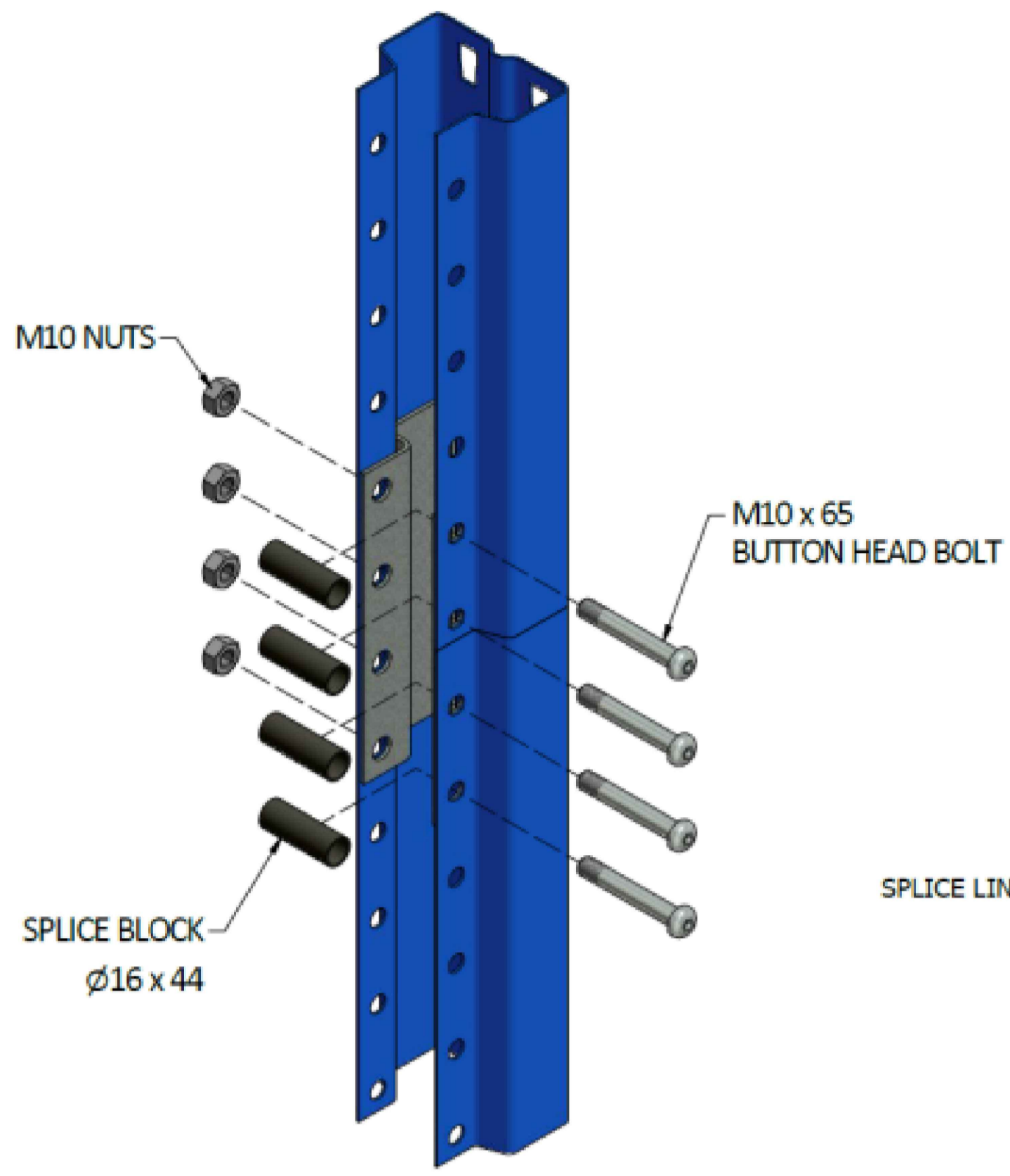
**PROJECT:**  
 OAKDALE WEST  
 RACKING ELEVATIONS

**DRAWING:**  
 DNQ14375-1122 S106RA

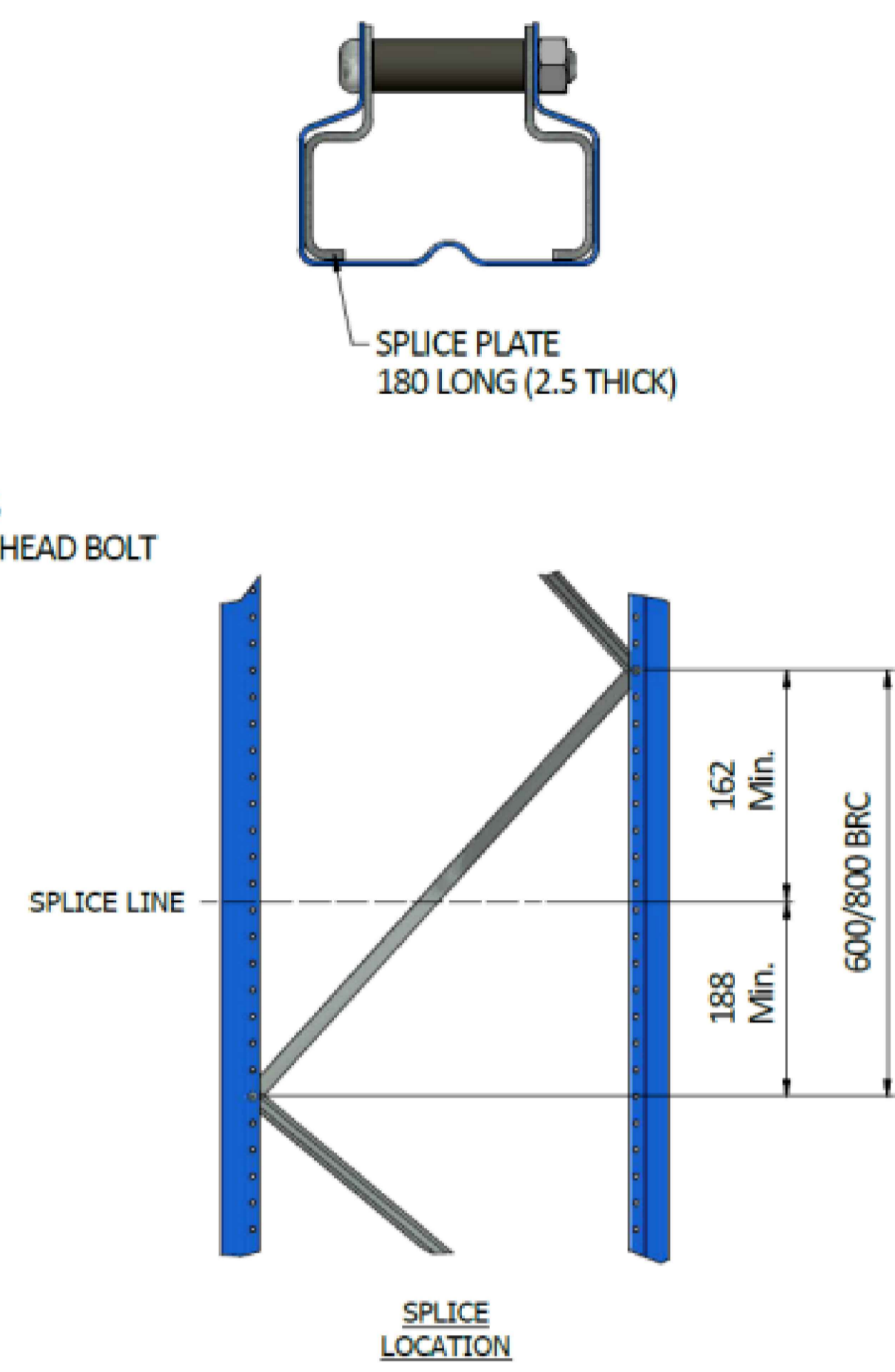
**PROJECT No.**  
 DNQ14375

**SHEET:** 6  
**SCALE:** NTS

Dexion Nepean Info:

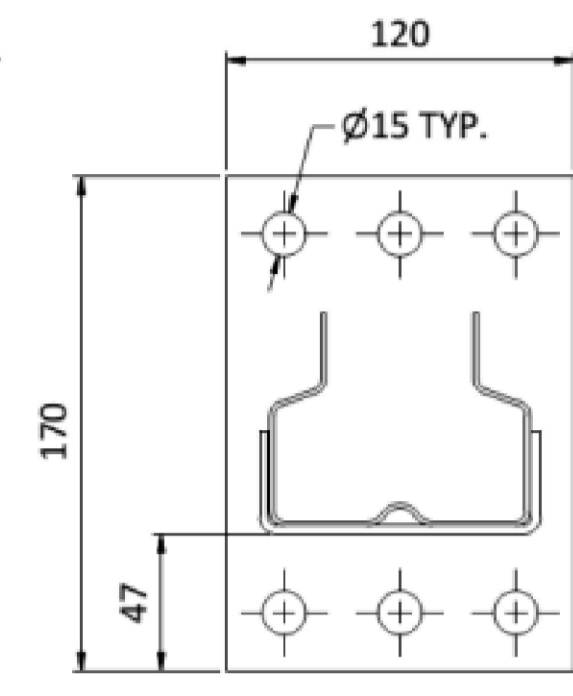
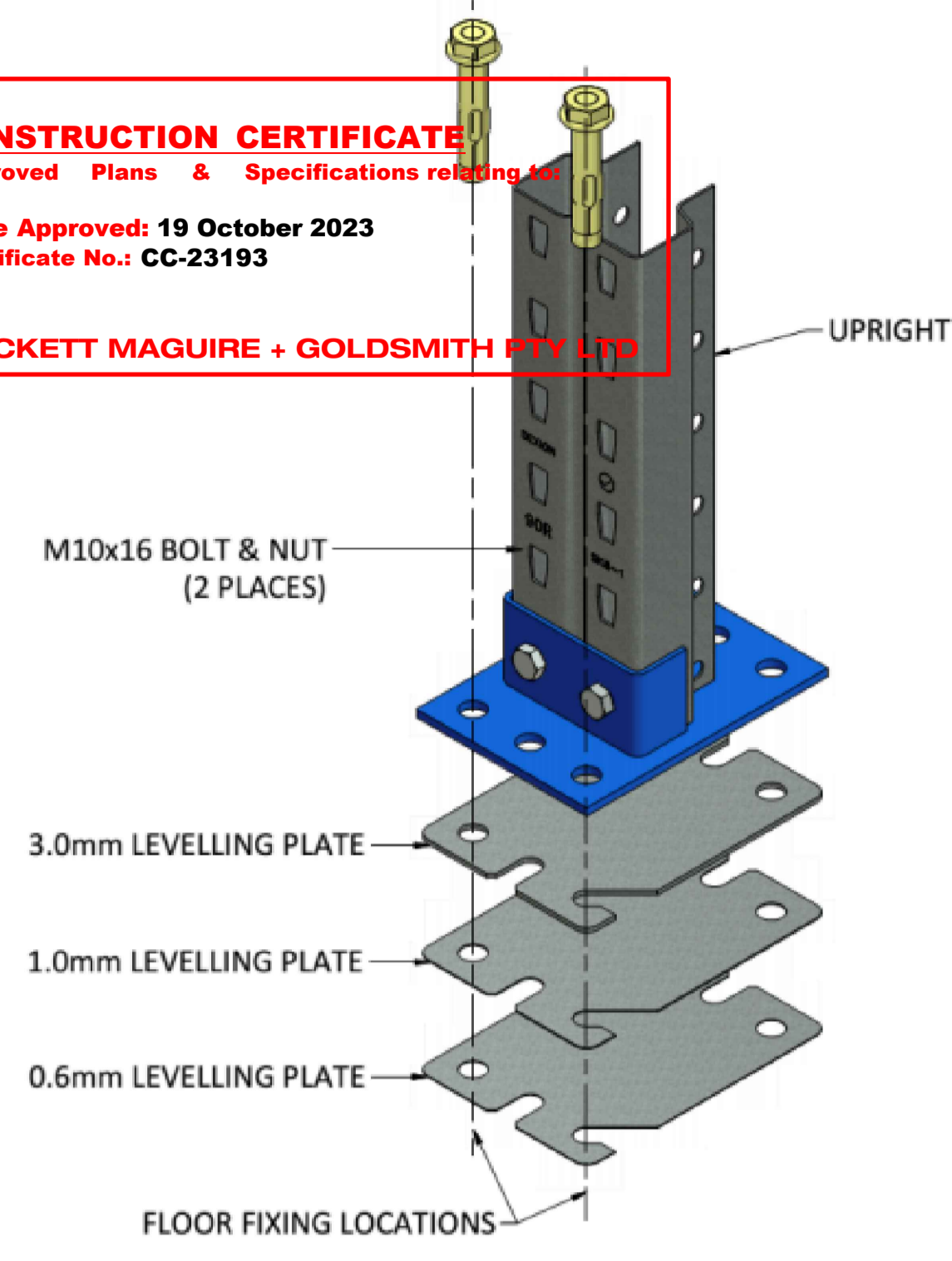


SPLICE CONNECTION DETAILS



SPLICE LOCATION

**CONSTRUCTION CERTIFICATE**  
 Approved Plans & Specifications relating to  
 Date Approved: 19 October 2023  
 Certificate No.: CC-23193  
**BLACKETT MAGUIRE + GOLDSMITH PTY LTD**

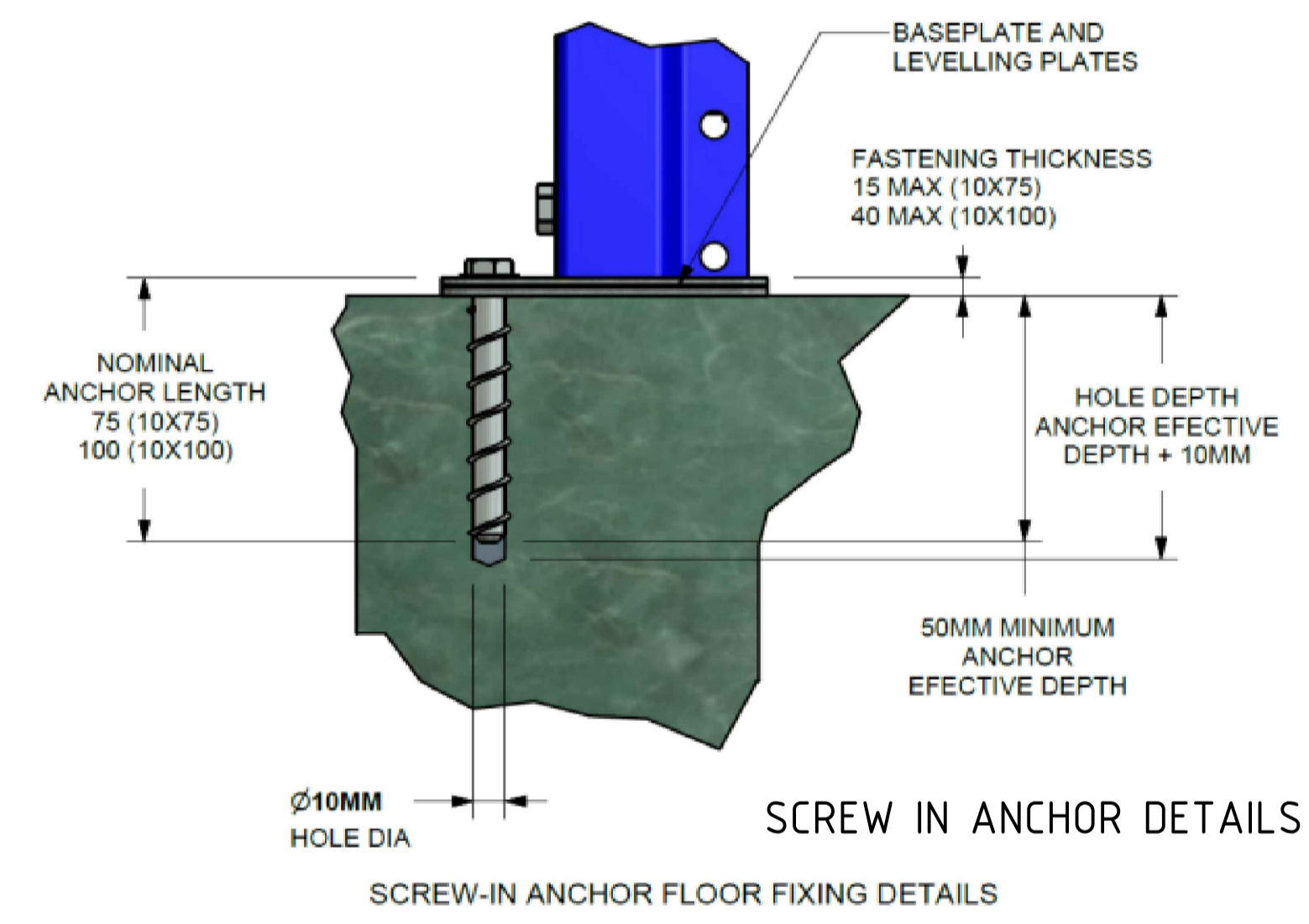


HD BASEPLATE DETAILS

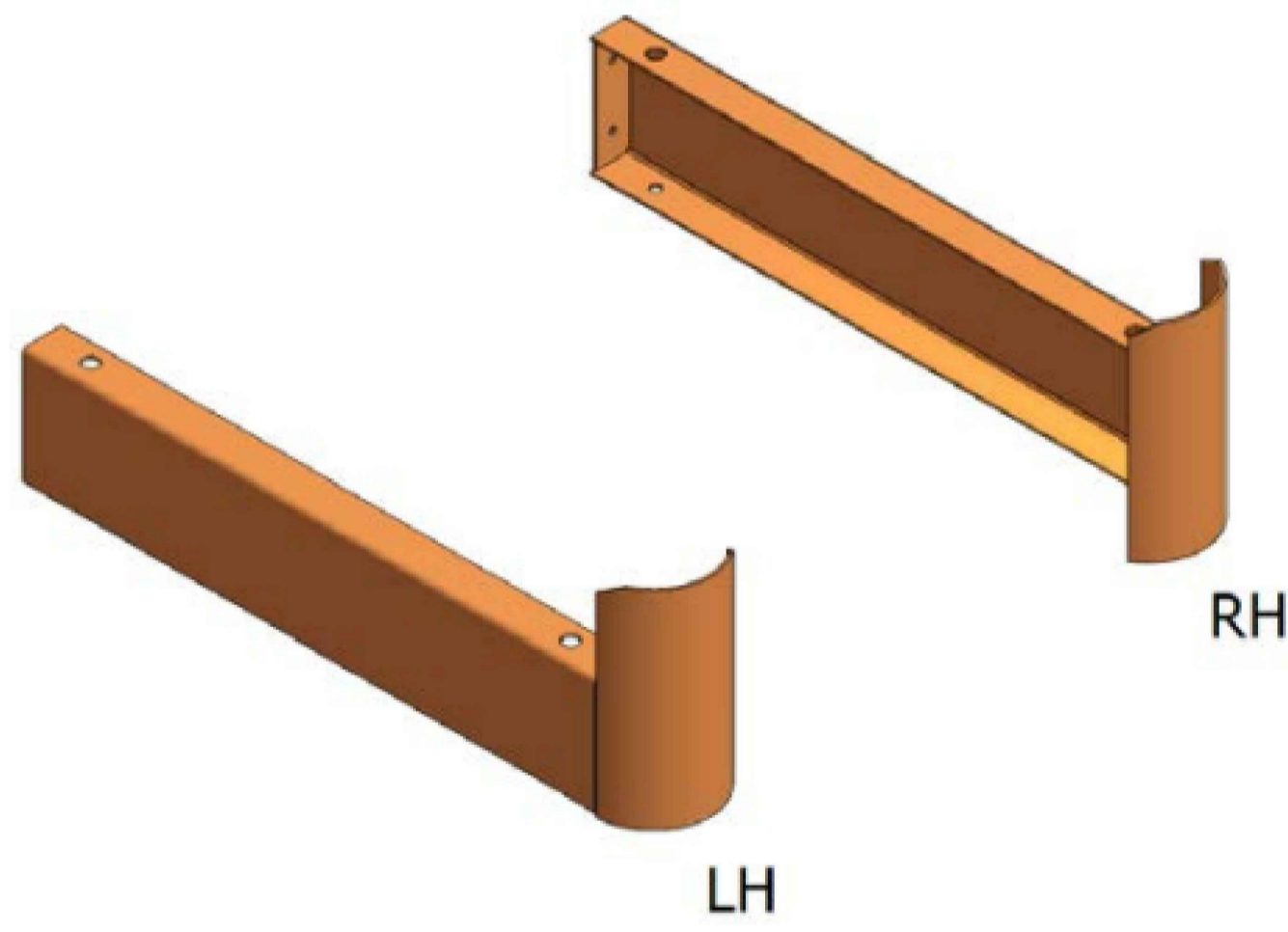
ALL BASEPLATES TO BE USED ARE HEAVY DUTY MEASURING 120 x 170mm

ALL INTERNAL BASEPLATES TO BE ANCHORED WITH 2 x M10x100 C1 / C2 SEISMIC RATED SCREW-IN ANCHORS

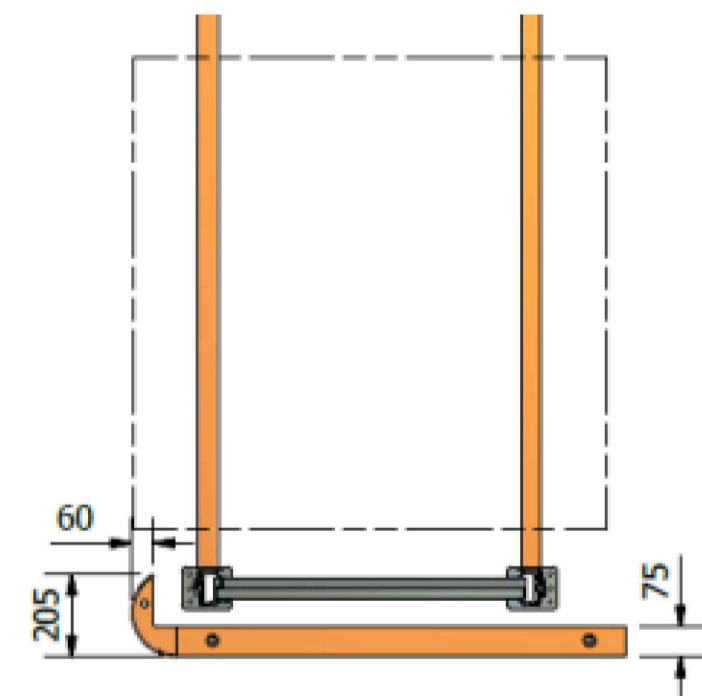
ALL EXTERNAL BASEPLATES TO BE ANCHORED WITH 4 x M12 C1 / C2 SEISMIC RATED STUD ANCHORS



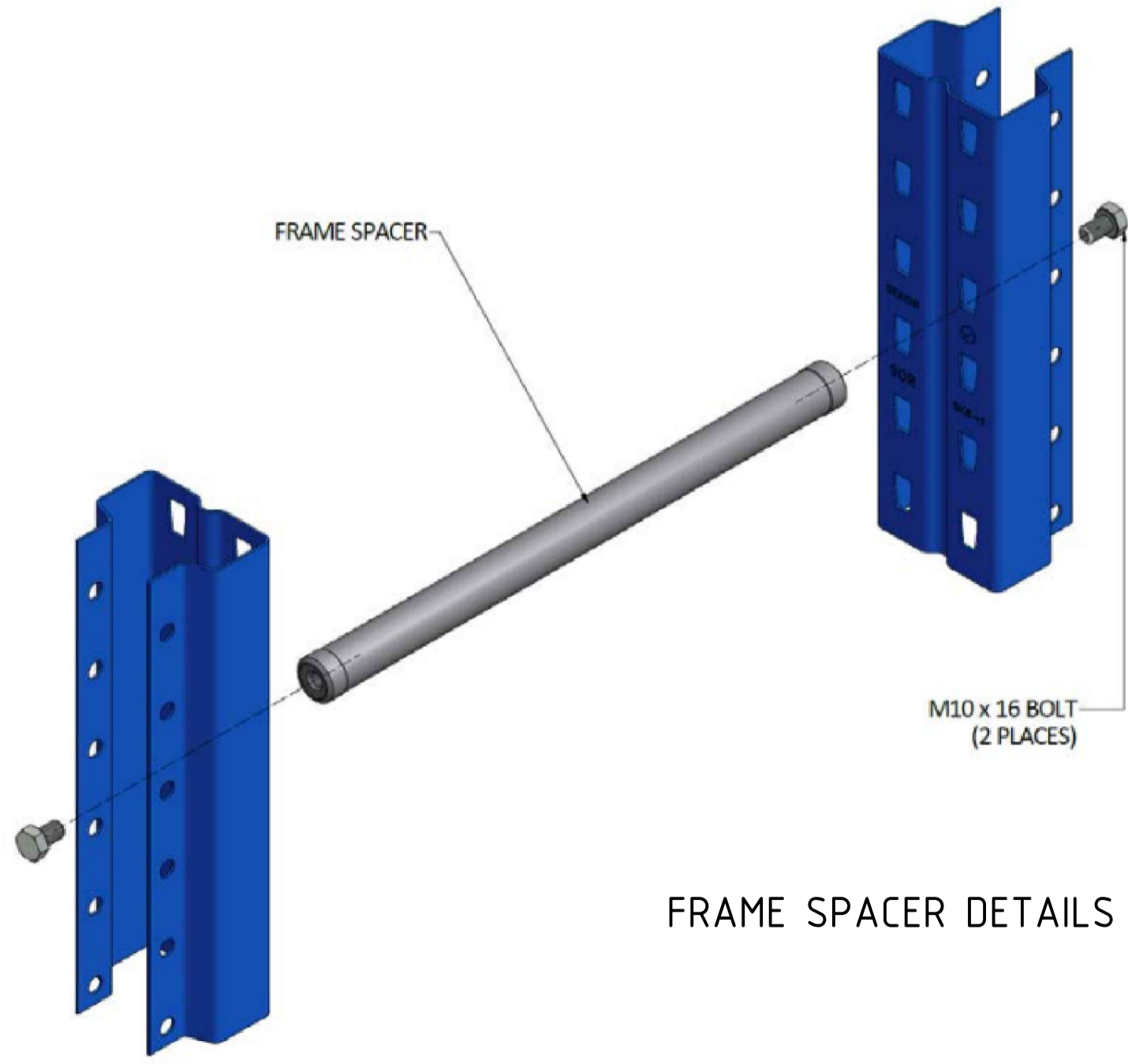
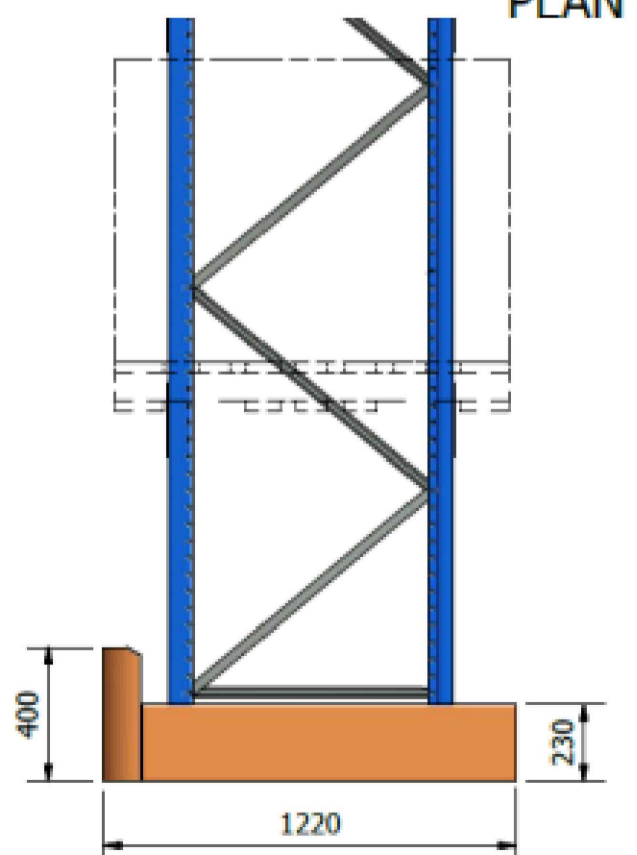
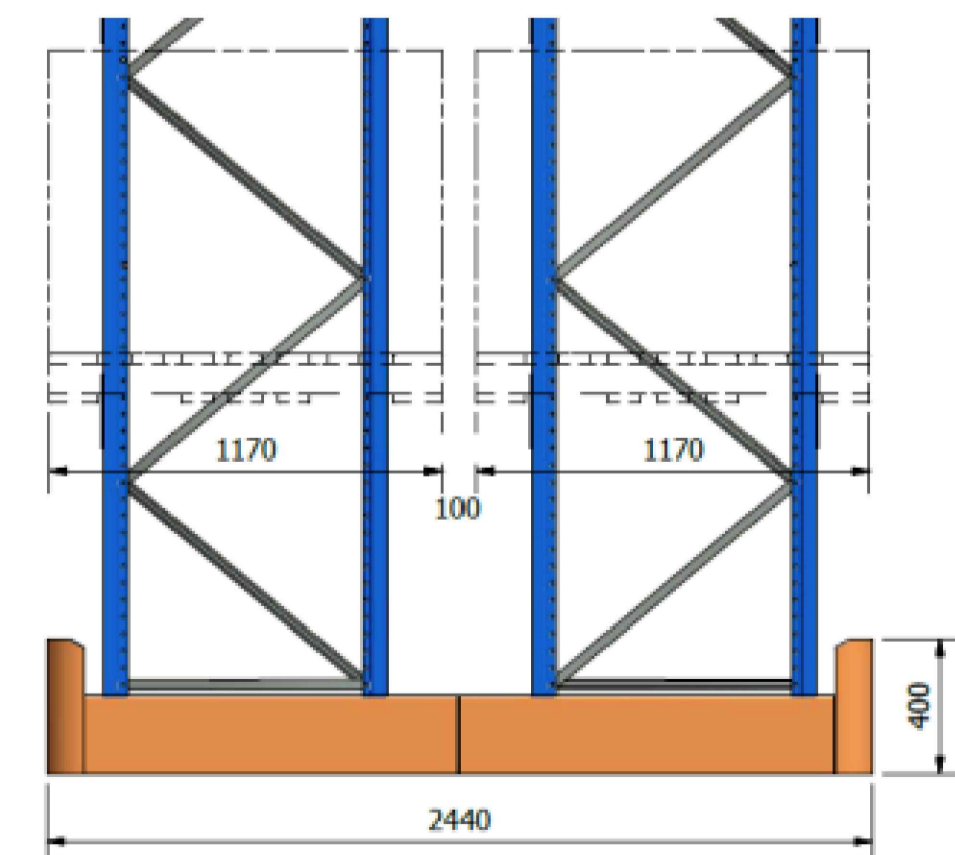
SCREW IN ANCHOR DETAILS



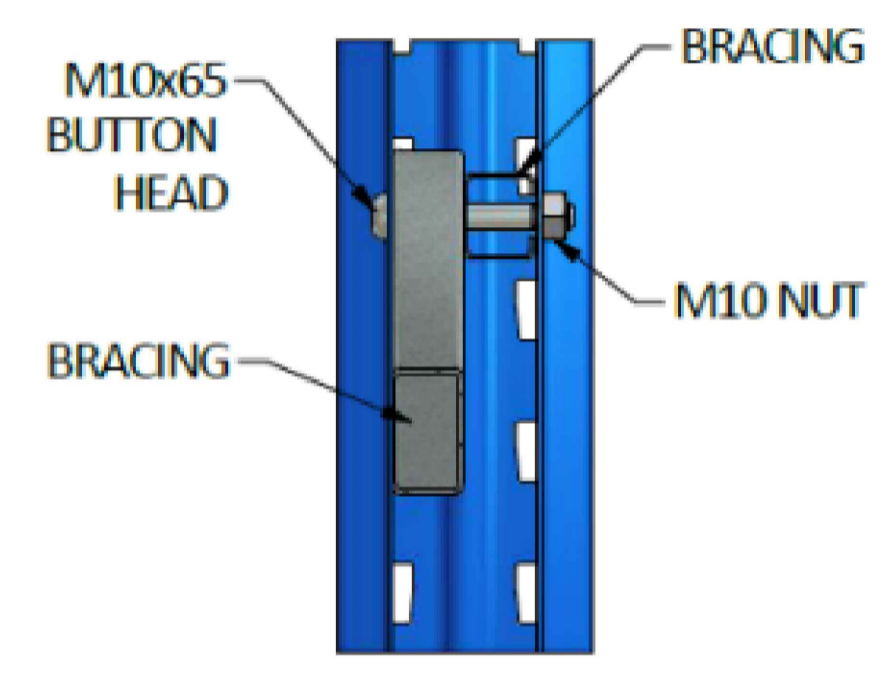
RACK END PROTECTORS



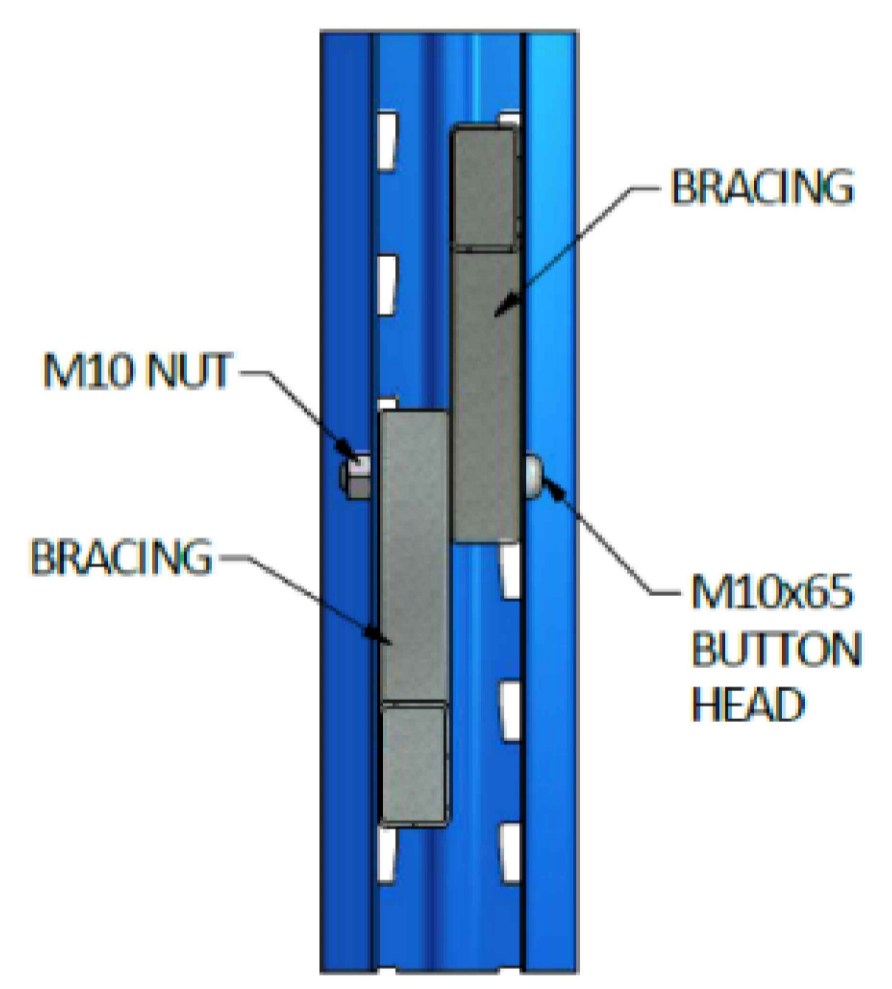
PLAN VIEW



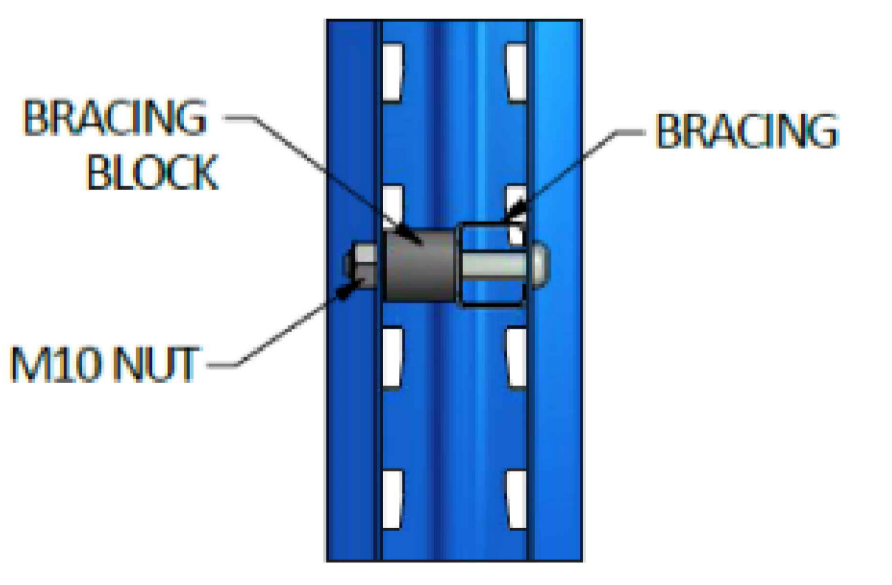
FRAME SPACER DETAILS



NODE 3 - SECTION C-C



NODE 2 - SECTION B-B



NODE 1 - SECTION A-A

BRACING CONNECTION DETAILS



AMENDMENTS

No.	Item	Drawn	Date
A	ORIGINAL FOR DISCUSSION	AP	04/08/23

LEGEND

NOTES

Verify all dimensions and levels on site and report any discrepancies prior to the commencement of work.  
 Drawings are to be read in conjunction with all referenced documents.  
 Use figured dimensions only. Do not scale from drawings.  
 Dexion Nepean cannot guarantee the accuracy of content and format for copies of drawings issued electronically.  
 The completion of the issue details checked and authorised section is confirmation of the status of the drawing. The drawing shall not be used for construction unless endorsed 'For Construction' and authorised for issue.  
 © Copyright Dexion Nepean  
 Dexion Nepean is the owner of the copyright subsisting in these drawings, plans, designs and specifications. They must not be used, reproduced, or copied in whole or in part, nor may the information, idea and concepts contained (which are confidential to Dexion Nepean) be disclosed to any person without prior written consent of that company



CONSULTANT:  
SEAN GAFFEY  
ROB LLOYD

CLIENT:  
EBOS HEALTH CARE /  
TULIP DESIGN

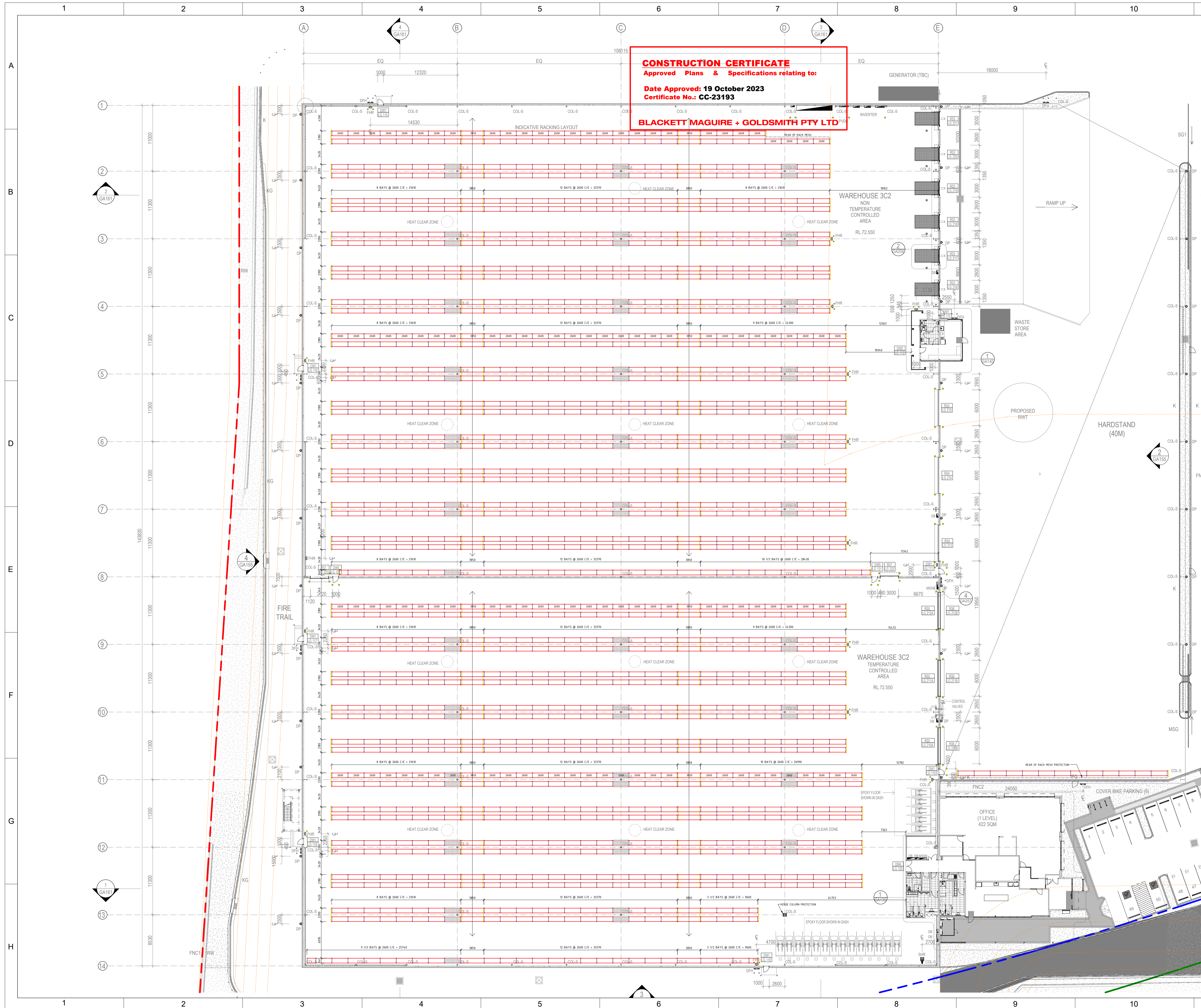
PROJECT:  
OAKDALE WEST  
DETAILS

DRAWING:  
DNQ14375-1122 S107RA

PROJECT No.  
DNQ14375

SHEET: 7  
SCALE: NTS

Dexion Nepean Info:



**CONSTRUCTION CERTIFICATE**  
 Approved Plans & Specifications relating to:  
 Date Approved: 19 October 2023  
 Certificate No.: CC-23193  
**BLACKETT MAGUIRE + GOLDSMITH PTY LTD**



**AMENDMENTS**

No.	Item	Drawn	Date
A	ORIGINAL FOR DISCUSSION	AP	04/08/23

**LEGEND**

**NOTES**

Verify all dimensions and levels on site and report any discrepancies prior to the commencement of work.  
 Drawings are to be read in conjunction with all referenced documents.  
 Use figured dimensions only. Do not scale from drawings.  
 Dexion Nepean cannot guarantee the accuracy of content and format for copies of drawings issued electronically.  
 The completion of the issue details checked and authorised section is confirmation of the status of the drawing. The drawing shall not be used for construction unless endorsed 'For Construction' and authorised for issue.  
 © Copyright Dexion Nepean  
 Dexion Nepean is the owner of the copyright subsisting in these drawings, plans, designs and specifications. They must not be used, reproduced, or copied in whole or in part, nor may the information, idea and concepts contained (which are confidential to Dexion Nepean) be disclosed to any person without prior written consent of that company.

**DEXION NEPEAN**  
 UNIT 3  
 7 MILLNER AVE  
 HORSLEY PARK  
 NSW 2175  
 TEL (02) 9623 3399  
 FAX (02) 9623 3099  
 ABN 59 115 740 040  
 Website: www.dexionnepean.com.au

**CONSULTANT:**  
 SEAN GAFFEY  
 ROB LLOYD

**CLIENT:**  
 EBOS HEALTH CARE /  
 TULIP DESIGN

**PROJECT:**  
 OAKDALE WEST  
 SITE RACKING PLAN

**DRAWING:**  
 DNQ14375-1122 S101RA

**PROJECT No.**  
 DNQ14375

**SHEET: 1**  
**SCALE: NTS**

Dexion Nepean Info: